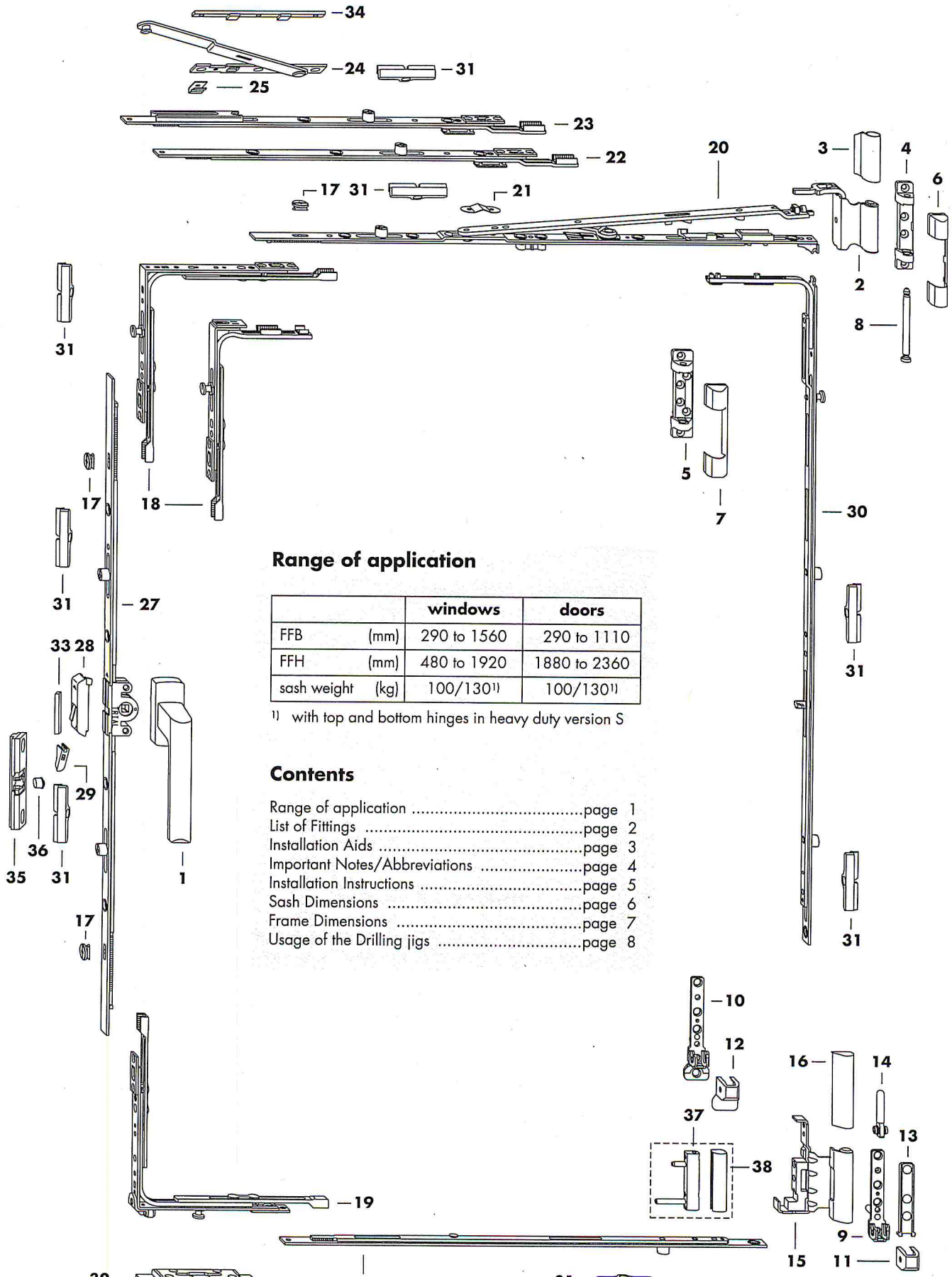
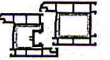
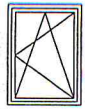


FAVORIT Si-line - KF 3

Turn/tilt fitting for single sash PVCu windows with 12 mm air gap
Bottom tilt point - finish TS silver - handle height variable/centre



printed on chlorine-free bleached paper

Range of application

		windows	doors
FFB	(mm)	290 to 1560	290 to 1110
FFH	(mm)	480 to 1920	1880 to 2360
sash weight	(kg)	100/130 ¹⁾	100/130 ¹⁾

¹⁾ with top and bottom hinges in heavy duty version S

Contents

Range of application	page 1
List of Fittings	page 2
Installation Aids	page 3
Important Notes/Abbreviations	page 4
Installation Instructions	page 5
Sash Dimensions	page 6
Frame Dimensions	page 7
Usage of the Drilling jigs	page 8

FAVORIT Si-line - KF 3 List of Fittings

Pos.	Description	Always required white		Always required brown			
		EAN 40 12453	Qty	EAN 40 12453	Qty		
1	handle Si-line FAVORIT	see price list	1	see price list	1		
2	stay hinge KF-12/.. DH	s. PDB	1	s. PDB	1		
3	cover cap W KF	836194	1	836200	1		
4	top hinge KF Ø 6 x 12 DH to 100 kg	707593	1	707593	1		
5	top hinge KF-S Ø 6 x 12 DH to 130 kg	707623		707623			
6	cover cap S for position 4	834145	1	834855	1		
7	cover cap S KF-S for position 5	835821		835838			
8	top hinge pin Ø 6	704196	1	704196	1		
9	bottom hinge KF Ø 6 x 24/3 to 100 kg	704592	1	704592	1		
10	bottom hinge S-KF Ø 6 x 12 to 130 kg	704639		704639			
11	cover cap EL U for position 9	833230	1	833247	1		
12	cover cap EL-S U for position 10	834138		834848			
13	cover cap EL O for position 9 or 10	833216	1	833223	1		
14	bottom hinge pin Ø 7	700600	1	700600	1		
15	rebate corner hinge KF-12/.. right handed/left handed	s. PDB	1	s. PDB	1		
16	cover cap FEB for position 15 right handed/left handed	887158 887349	1	887165 887356	1		
17	location piece	702543	1	702543	1		
32	tilt lock bearing S-ES FH A....	s. PDB	1	s. PDB	1		
37	corner hinge KF Ø 6 x 16/36	709542	1	709542	1	Variant	[]
38	cover cap EB	887530	1	887547	1		

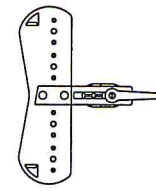
Pos.	Description	EAN 40 12453	Sash width dependant (FFB/mm)						
			290 to 410	411 to 570	571 to 800	801 to 1030	1031 to 1260 ¹⁾	1261 to 1490 ¹⁾	1491 to 1560 ¹⁾
18	corner drive VS S-ES/small	703038	1						
	corner drive VS S-ES	703014		1	1	1	1	1	1
20	stay 7 size 30	707302	1	1					
	size 35 MV	707319			1				
	size 50 MV	707326				1		1	
	size 55 MV	707333					1		1
22	linkage size 460 MV to 100 kg/130 kg	703762						1/-	
23-25	carton additional stay to 100 kg/130 kg	s. PDB						-/1	1/1
34	packer Z f. additional stay A.... to 100 kg/130 kg	s. PDB						-/1	1/1
26	centre lock size 50	700969				1	1		
	*) on request, size 90 700983 size 70	700976						1	1 ¹⁾
31	striker plate 56 A....	s. PDB				2	2	3	3

1) max. door width 1110 mm FFB

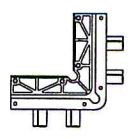
Pos.	Description	EAN 40 12453	Sash height dependant (FFH/mm)						
			480 to 600	601 to 800	801 to 1060	1061 to 1200	1201 to 1460	1461 to 1600	1601 to 1920
21	tilt restrictor ²⁾ to 750 mm FFH	805701	1	1 ²⁾					
27	gear 3 handle height (mm)								
	size 0 240 to 300	706985	1						
	size 1 300 to 400	706992		1					
	size 1a MV 400 to 530	707005			1				
	size 2 MV 530 to 730	707012				1	1		
	size 3 MV 730 to 960	707029						1	1
	size 4 /TL 940 to 1180	707036							1
19	corner drive VSU S-ES FH/..	s. PDB	1	1	1	1	1	1	1
28,29	bag mishandling device	s. PDB							1
33	stop KF	s. PDB							1
30	corner drive BS S-ES size 50	703137			1	1			
	*) on request MV-extension (without illustr.) size 70	703144					1	1	
	size 40 700945 to 2001 FFH size 90	703151						1	
	size 60 700952 to 2201 FFH size 130/TL ¹⁾	703120							1
31	striker plate 56 A....	s. PDB	1	1	3	3	3	3	5
35	snapper A.... (on request)	s. PDB							(1)
36	sleeve (on request)	s. PDB							(1)

FAVORIT Si-line - KF 3 Installation Aids

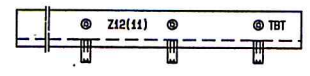
Description	Tool	EAN 40 12453
Drilling jig KF-... EL/SL Si-line Ø 6/3 <i>for drillings of top and bottom hinge KF</i>	drill: Ø 6 mm see Ø 3 mm „Profil-Datenblatt“	
Variation 1 Drilling jig KF EB <i>for drillings of corner hinge KF Ø 6 x 16/36</i>	drill: Ø 6 mm see Ø 3 mm „Profil-Datenblatt“	



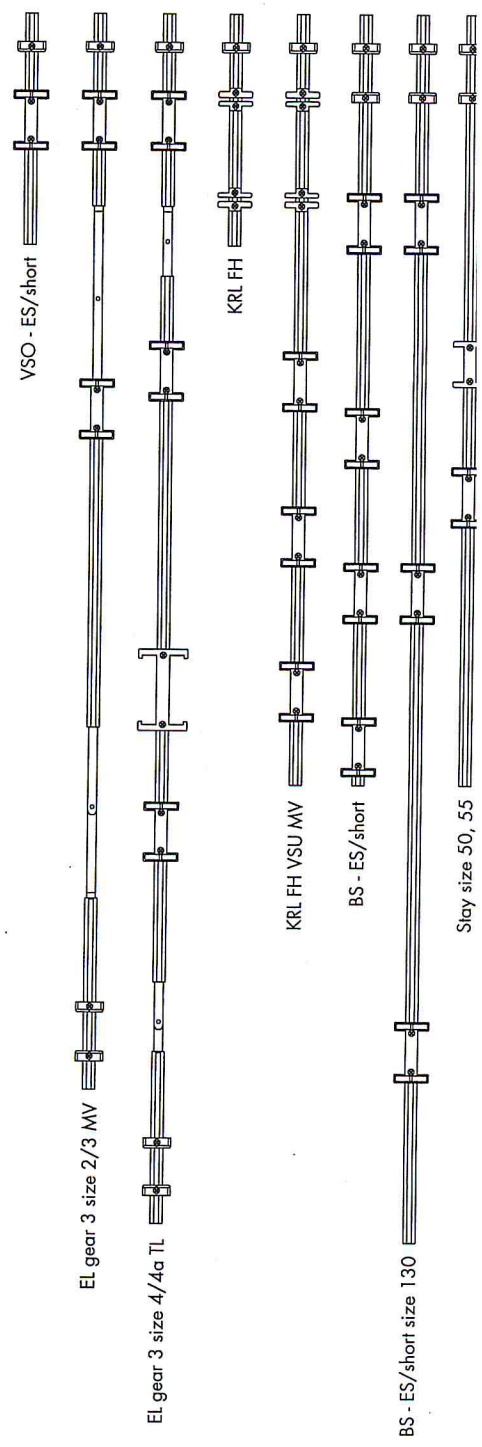
Variation 1



Drilling jig FAVORIT <i>for additional stay</i>	drill: Ø 3 mm see „Profil-Datenblatt“	
---	--	--



Jig ES VSO - ES/short 56 mm <i>for corner drive VS S-ES top for sash rebate heights to 800 mm</i>	154649
Centre fixing jigs S-ES EL gear size 3 Gr. 2/3 MV 56 mm <i>for gear 3 for sash rebate heights to 1920 mm</i>	157565
Centre fixing jigs S-ES EL gear size 3 Gr. 4/4a TL 56 mm <i>for gear 3 for sash rebate heights from 1880 mm</i>	157572
Jig S-ES KRL FH <i>for corner drive VSU S-ES FH/.. for sash rebate heights to 800 mm</i>	157541
Jig S-ES KRL FH VSU MV <i>for corner drive VSU S-ES FH/.. with centre lock, for sash rebate heights to 800 mm</i>	157558
Jig ES BS - ES/short 56 mm <i>for corner drive BS S-ES for sash rebate heights to 1920 mm</i>	154663
Jig ES BS - ES/short Gr. 130 56 mm <i>for corner drive BS S-ES for sash rebate heights from 1880 mm</i>	154670
Jig S-ES Stay size Gr. 50, 55 56 mm <i>for stay 7 for sash rebate heights from 800 mm</i>	157626



Important Notes

Product-Information Profilsystem Range of application

Please refer to our Product Liability Guidelines (order number: H 4001.0876gb).

The stated size range on page 1 is valid.

The information from the profile producers or system owners are also valid, **especially** regarding possible limitations for sash measurements, sash weight and locking distance. Where special processing guidelines or instructions for production are given, they are to be strictly observed. Information given on number of screw turns and torque are binding.

All hardware solutions should be used only on **inward** opening windows and doors.

The steel hardware components described in these instructions have been galvanized with zinc and coated in „Titan Silver“.

They should not be used:

- in damp rooms
- in surroundings with aggressive, corrosion promotion air
- in surroundings containing salt air

Excessive strain

It is possible that bearing components could break due to excessive strain. This could cause the window to drop out of the frame and potentially cause serious injuries. If due to special circumstances (use in schools or nurseries, etc.) excessive strain on bearing components could be expected, fatigue of bearing components must be prevented eg. by using a restriction bracket limiting the opening angle of the window or by installing a turn lock.

Total hardware

We accept no liability in respect of any damages or defects arising where the hardware assembly incorporates products not manufactured by SIEGENIA.

Assembly of hardware components

Install the hardware components correctly. It is imperative that you observe the mounting and fixing position of all hinge side components.

Do not overtighten!

In particular, the top hinge pin must be **pushed up** fully into the hinge. Make sure that the hinge pin clicks into place in the hinge springs.

Packing

Please follow the standard techniques for packing the glazing units within the window sash frame.

Sealing compounds

Do not use acid based sealing compounds because they may lead to corrosion of the hardware.

Cleaning

Keep rebates free of dirt and debris - in particular cement and plaster. Keep hardware dry and avoid contact with cleaning agents.

Maintenance and operation

If necessary affix a clearly visible copy of the user information (Order No. 05083) to the installed window or French door unit.

Provide the user with the following printed leaflets:

Maintenance Instructions Order No. 11058
Operation Instructions Order No. 05086

Liability Exclusion

We accept no liability in respect of any damages or malfunctions caused by the hardware or the windows and French doors fitted with them, as a result of incorrect and inappropriate specifications or other information provided by the customer, failure to follow these instructions, wilful damage or negligence or misuse or alteration or repair of or an exertion of excessive force to the hardware by the user or customer.

Abbreviations

In this installation instruction the following abbreviations are used:

BS	hinge side	G	handle height	SL	top hinge
DH	with built-in friction	KF	PVCu	TL	door version
EB	corner hinge	KL	clamping jig	U	bottom
EL	bottom hinge/jig	MV	centre lock	VSO	locking side top
FEB	rebate corner hinge	O	top	VSU	locking side bottom
FFB	sash rebate width	PDB	Profildatenblatt (profile data sheet)	W	stay hinge
FFH	sash rebate height	S	heavy duty version (to 130 kg)	Z	additional stay
FH	sash height	S-ES	steel - encreased security		

Installation Instructions

Preparation

Pre-drill all holes for sash and frame.

See installation aids page 3, sash dimensions page 6, frame dimensions on page 7 and appropriate SIEGENIA profile data sheet.

Assembly on sash

- A** Insert and screw on corner drive VS S-ES (page 1: **18**) and corner drive VSU S-ES FH/.. (**19**). For a FFB of more than 800 mm connect the centre lock (**26**) and screw on.
- B** Cut, insert and screw on gear 3 (**27**) and stay 7 (**20**).
For a FFB of more than 1261 mm and a sash weight to 100 kg insert and screw on linkage (**22**).
For a FFB of more than 1261 mm and a sash weight to 130 kg insert and screw on linkage S/Z (**23**).
For a FFH between 480 mm and 750 mm and generally for a sash weight between 100 kg and 130 kg use additional tilt restrictor (**21**) in stay 7 (**20**).
For a FFH of more than 800 mm use additional corner drive BS S-ES (**30**) on hinge side.
For a FFH of more than 1880 mm insert mishandling device (**28**) into gear 3 (**27**) and clip on pressure piece (**29**).
- C** Insert stay hinge KF-12/.. DH (**2**) into arm of stay 7 (**20**) and engage according to installation instruction. Attach cover cap W KF (**3**).
- D** Insert and screw on rebate corner hinge KF-12/.. (**15**).

Assembly on frame

- See frame dimensions page 7.

- A** Insert and screw on striker plates 56 (**31**) and tilt lock bearing S-ES FH (**32**).
For a FFH of more than 1880 mm attach stop KF (**33**) depending on PVCu profile.
- B** For a sash weight to 100 kg insert and screw on bottom hinge KF Ø 6 x 24/3 (**9**).
For a sash weight to 130 kg insert and screw on bottom hinge S-KF Ø 6 x 12 (**10**).
- C** For a sash weight to 100 kg insert and screw on top hinge KF Ø 6 x 12 DH (**4**).
For a sash weight to 130 kg insert and screw on top hinge KF-S Ø 6 x 12 DH (**5**).
- D** Insert bottom hinge pin Ø 7 (**14**) into bottom hinge KF Ø 6 x 24/3 (**9**) or S-KF Ø 6 x 12 (**10**).
- E** For a FFB from 1261 mm to 1490 mm and a sash weight over 100 kg and in general a FFB from 1491 mm to 1560 mm insert and fasten additional stay (**24**) and clamping spring Z (**25**).
Depending on PVCu profile use additional packer Z (**34**).

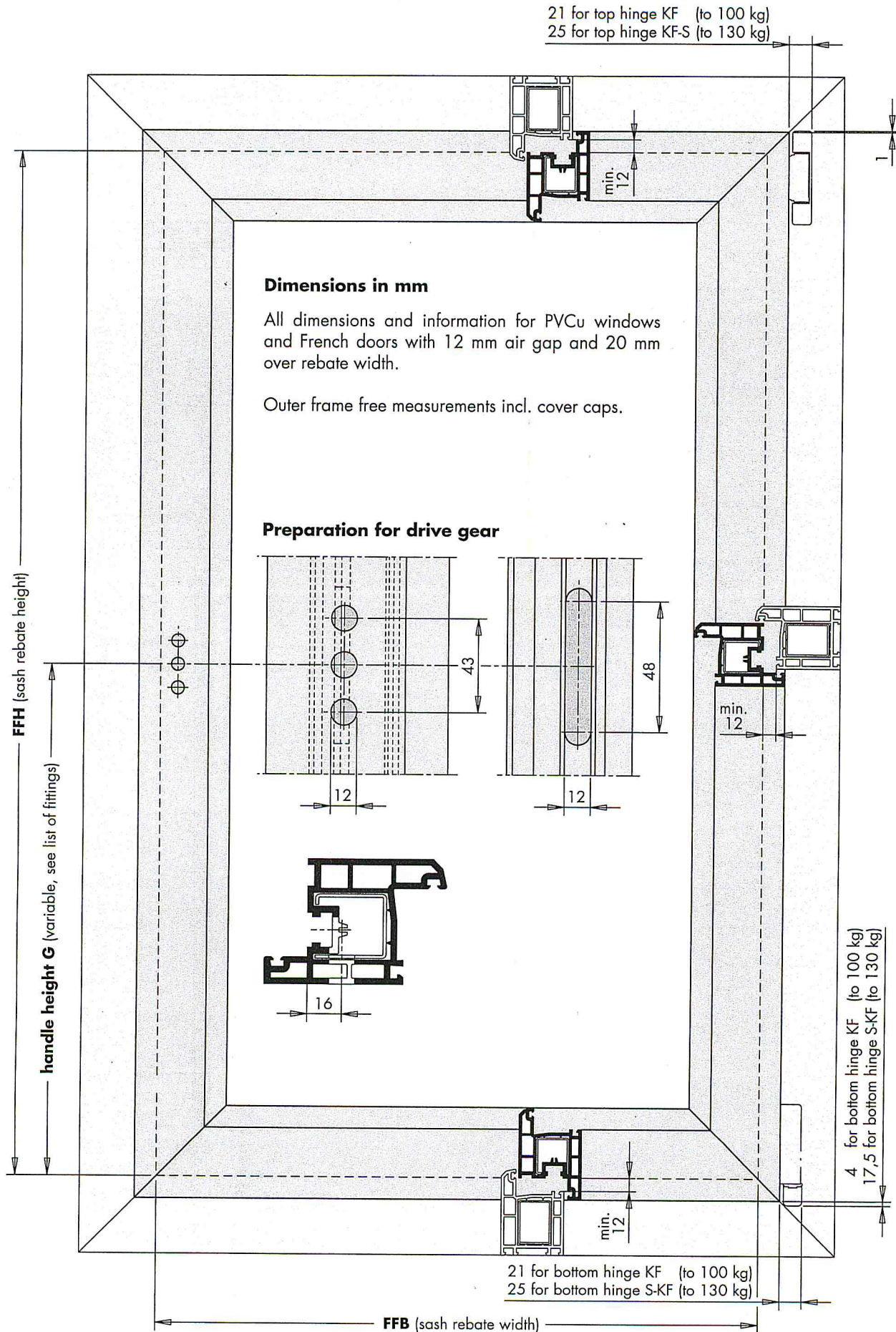
Final assembly

- A** Insert sash with rebate corner hinge KF-12/.. (**15**) into bottom hinge KF (**9**) or S-KF (**10**).
- B** Insert stay 7 (**20**) with stay hinge KF-12/.. DH (**2**) into top hinge KF (**4**) or KF-S (**5**).
- C** Push top hinge pin Ø 6 (**8**) fully up into into top hinge KF (**4**) or KF-S (**5**).
Make sure that the top hinge pin clicks into place in the springs of the top hinge.
- D** Attach handle (**1**) in turn position (horizontally).
- E** Screw on handle (**1**) with max. torque 2,5 Nm.
- F** Turn handle (**1**) to tilt position (vertically) to release centrally locked gearing.
- G** Check fittings for functioning. If necessary adjust, do not exceed maximum adjustment of bottom hinge (± 2 mm). Maximum torque 4 Nm.
- H** Attach cover caps (**6**) or (**7**), (**11**) or (**12**), (**13**) and (**16**).

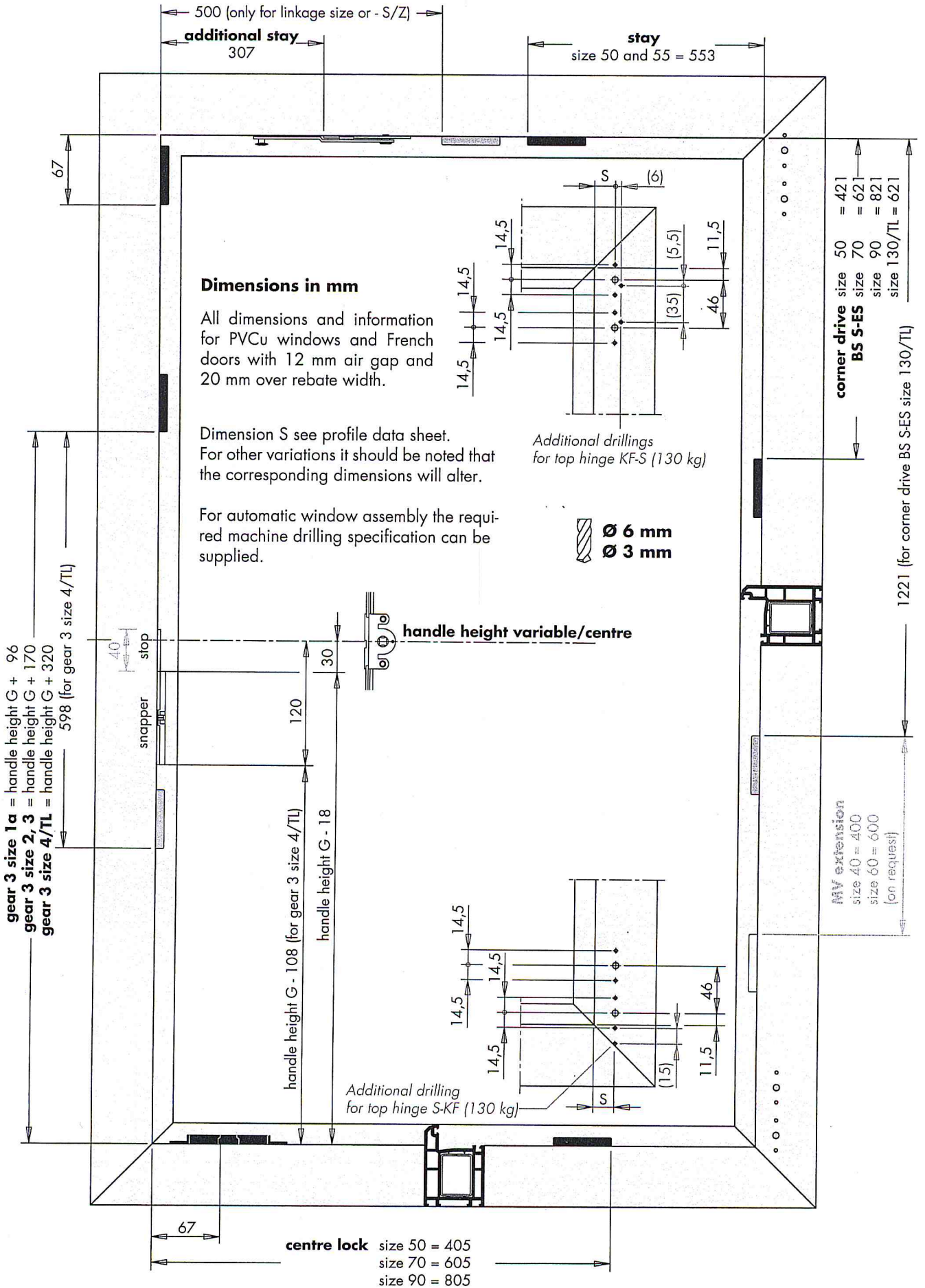
Fixing of parts

- Handle (**1**): countersunk screw M5 x 40 according to DIN 965 - 4.8
Order No. 801048
- other elements: screw 4 x 25 to 4 x 30 for PVCu windows,
steel galvanised (**not in delivery**).

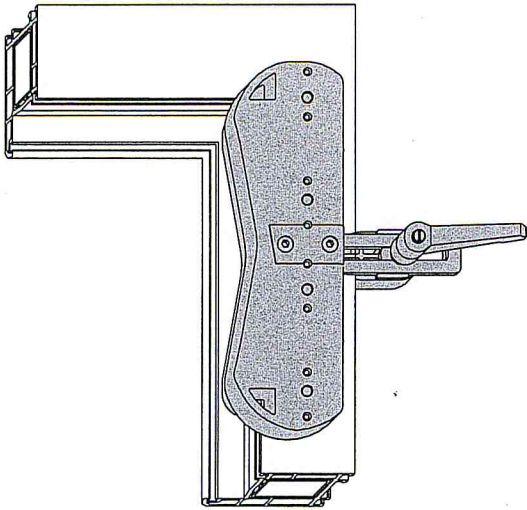
FAVORIT Si-line - KF 3 Sash Dimensions



FAVORIT Si-line - KF 3 Frame Dimensions



FAVORIT Si-line - KF 3 Usage of the Drilling jigs



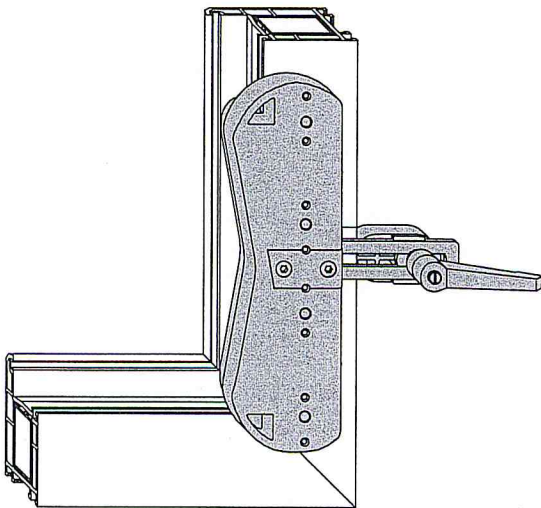
Drilling jig KF-... EL/SL

Si-line Ø 6/3

With drilling jig KF-...EL/SL the hole preparation for
- top hinge KF
- bottom hinge KF
is carried out.

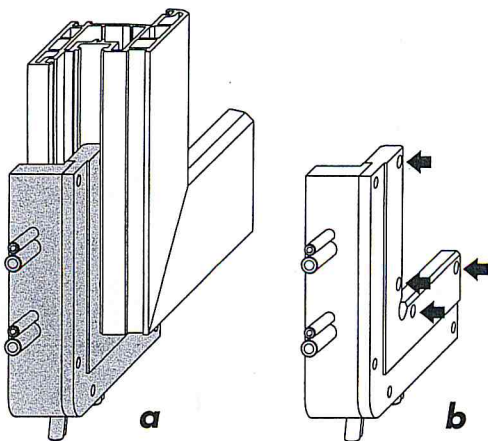
How to use the drilling jig

- A** Adjust clamping device of drilling jig to the width of the outer frame profile.
- B** Clamp drilling jig on appropriate hinge side corner on frame rebate edge.
- C** Carry out drillings (see also page 7):
 - for supporting pins with drill Ø 6 mm
 - for fixing screws with drill Ø 3 mm.



Inserting to frame rebate edge

Variation 1



Inserting in fitting groove (a)
Adjusting to groove width (b)

Drilling jig KF EB

With drilling jig KF EB preparation for the bottom hinge KF is carried out.

How to use the drilling jig

- A** Insert drilling jig in the bottom hinge side corner of the fitting groove. If necessary adjust drilling jig with hexagonal screw (↔) to possible deviations of groove width.
- B** Carry out drillings:
 - for supporting pins with drill Ø 6 mm
 - for fixing screws with drill Ø 3 mm.